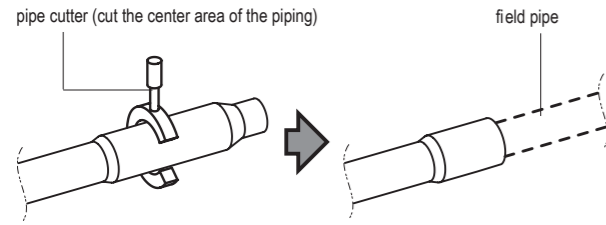
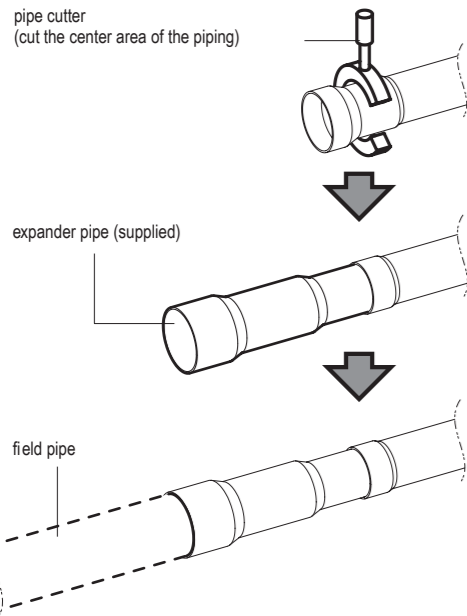


## INSTALLATION PROCEDURE

Use a pipe cutter to cut off the pipe at a position where the size of the pipe fits the size of the connecting pipe selected according to the pipe selection procedure.



Use the supplied reducer/expander pipes when necessary

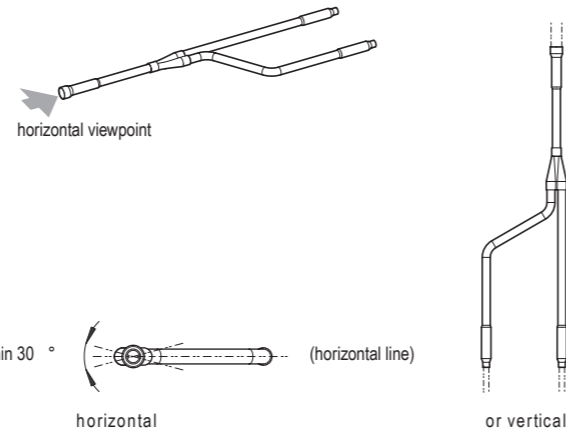


## INSTALLATION PRECAUTIONS

**!** Make sure to flow nitrogen gas through the pipe when brazing.

### Installation orientation

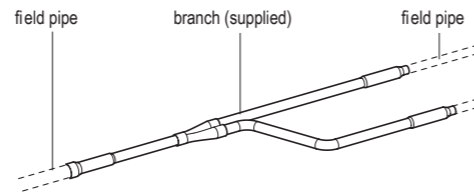
Install the branches so that they are oriented vertically or horizontally.



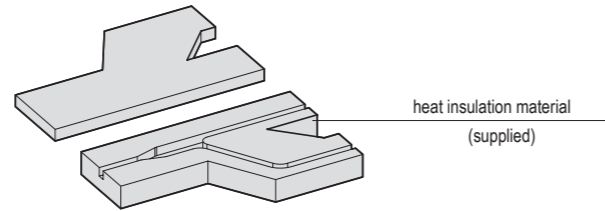
### Heat insulation

Be sure to insulate the branches against heat.

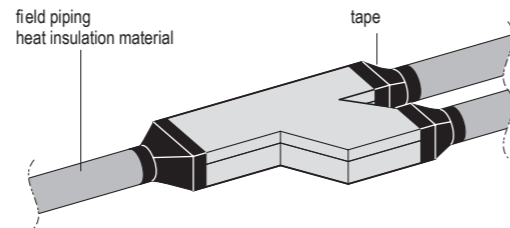
■ Example of connected branch.



■ Use the supplied heat insulation material to insulate the branches against heat.



■ Apply the heat insulation material and seal all connections with tape.



Copyright 2006 Daikin



4PW29723-1 D 0000000S



KHRP22M64T8	KHRQ22M29T9	KHRP23M64T8	KHRQ23M29T8
KHRP22M75T8	KHRQ22M64T8	KHRP23M75T8	KHRQ23M29T9
KHRQ22M20T8	KHRQ22M75T8	KHRA22M65T	KHRQ23M64T8
KHRQ22M20TA8	KHRP23M33T8	KHRQ23M20T8	KHRQ23M75T8

Installation manual  
Refnet branches



IMPROPER INSTALLATION OR ATTACHMENT OF EQUIPMENT OR ACCESSORIES COULD RESULT IN ELECTRIC SHOCK, SHORT-CIRCUIT, LEAKS, FIRE OR OTHER DAMAGE TO THE EQUIPMENT. BE SURE ONLY TO USE ACCESSORIES MADE BY DAIKIN WHICH ARE SPECIFICALLY DESIGNED FOR USE WITH THE EQUIPMENT AND HAVE THEM INSTALLED BY A PROFESSIONAL. IF UNSURE OF INSTALLATION PROCEDURES OR USE, ALWAYS CONTACT YOUR DAIKIN DEALER FOR ADVICE AND INFORMATION.

## THIS KIT INCLUDES THE FOLLOWING PARTS

model	liquid branch	discharge gas branch	suction gas branch	heat insulation material	reducer/expander pipe
KHRP22M64T8	○	—	○	2 sets	6 pipes
KHRP22M75T8	○	—	○	2 sets	8 pipes
KHRQ22M20T8	○	—	○	2 sets	2 pipes
KHRQ22M20TA8	○	—	○	2 sets	4 pipes
KHRQ22M29T9	○	—	○	2 sets	5 pipes
KHRQ22M64T8	○	—	○	2 sets	6 pipes
KHRQ22M75T8	○	—	○	2 sets	7 pipes
KHRA22M65T	○	—	○	2 sets	4 pipes
KHRP23M33T8	○	○	○	3 sets	5 pipes
KHRP23M64T8	○	○	○	3 sets	7 pipes
KHRP23M75T8	○	○	○	3 sets	11 pipes
KHRQ23M20T8	○	○	○	3 sets	3 pipes
KHRQ23M29T8	○	○	○	3 sets	4 pipes
KHRQ23M29T9	○	○	○	3 sets	5 pipes
KHRQ23M64T8	○	○	○	3 sets	8 pipes
KHRQ23M75T8	○	○	○	3 sets	17 pipes

## DIMENSIONS OF THE PIPING

### Branch dimensions

	liquid branch	discharge gas branch	suction gas branch
KHRP22M64T8		—	
	reducer or expander pipe 1, 2	—	reducer or expander pipe 4, 9, 2x 11
KHRP22M75T8		—	
	reducer or expander pipe 2, 3	—	reducer or expander pipe 5, 2x 9, 2x 11, 13
KHRQ22M20T8 KHRQ22M20TA8		—	
	—	—	T8 reducer or expander pipe 2, 4 TA8 reducer or expander pipe 1, 2x 2, 4

	liquid branch	discharge gas branch	suction gas branch
KHRQ22M29T9	 reducer or expander pipe 14	—	 reducer or expander pipe 6, 8, 2x 9
KHRQ22M64T8	 reducer or expander pipe 2x 6	—	 reducer or expander pipe 7, 8, 9, 10
KHRQ22M75T8	 reducer or expander pipe 3	—	 reducer or expander pipe 4, 7, 10, 2x 11, 12
KHRA22M65T	 reducer or expander pipe 2, 7, 8, 9	—	—
KHRP23M33T8	—	 reducer or expander pipe 2x 2	 reducer or expander pipe 8, 2x 9
KHRP23M64T8	 reducer or expander pipe 1	 reducer or expander pipe 2, 9	 reducer or expander pipe 4, 9, 2x 11
KHRP23M75T8	 reducer or expander pipe 3	 reducer or expander pipe 2, 8, 9, 10	 reducer or expander pipe 5, 2x 9, 2x 11, 13
KHRQ23M20T8	—	—	 reducer or expander pipe 2, 4, 15

	liquid branch	discharge gas branch	suction gas branch
KHRQ23M29T8 KHRQ23M29T9	 reducer or expander pipe 14	—	 T8 reducer or expander pipe 8, 2x 9 T9 reducer or expander pipe 6, 8, 2x 9
KHRQ23M64T8	 reducer or expander pipe 2x 6	 reducer or expander pipe 6, 8, 2x 9	 reducer or expander pipe 7, 10
KHRQ23M75T8	 reducer or expander pipe 3, 16	 reducer or expander pipe 2, 5, 7, 8, 9, 10, 11	 reducer or expander pipe 4, 5, 7, 10, 2x 11, 12, 17

#### Reducer/expander pipe dimensions

1	 OD Ø9.52 ID Ø6.35	2	 OD Ø12.70 ID Ø9.52	3	 OD Ø12.70 ID Ø9.52 ID Ø6.35
4	 OD Ø15.90 ID Ø12.70	5	 OD Ø25.40 OD Ø19.10 ID Ø22.20 ID Ø19.10 ID Ø15.90 ID Ø12.70	6	 OD Ø15.90 ID Ø19.10 ID Ø22.20
7	 OD Ø19.10 ID Ø22.20	8	 OD Ø19.10 ID Ø22.20 ID Ø25.40	9	 OD Ø25.40 ID Ø28.60
10	 OD Ø25.40 ID Ø28.60 ID Ø31.80	11	 OD Ø31.80 ID Ø34.95 ID Ø41.28	12	 OD Ø31.80 ID Ø38.10
13	 OD Ø38.10 ID Ø41.28	14	 OD Ø9.52 ID Ø12.7	15	 OD Ø22.20 ID Ø28.60
16	 OD Ø15.90 ID Ø12.70 ID Ø9.52	17	 OD Ø31.80 ID Ø28.60 ID Ø25.40 ID Ø22.20 ID Ø19.10		